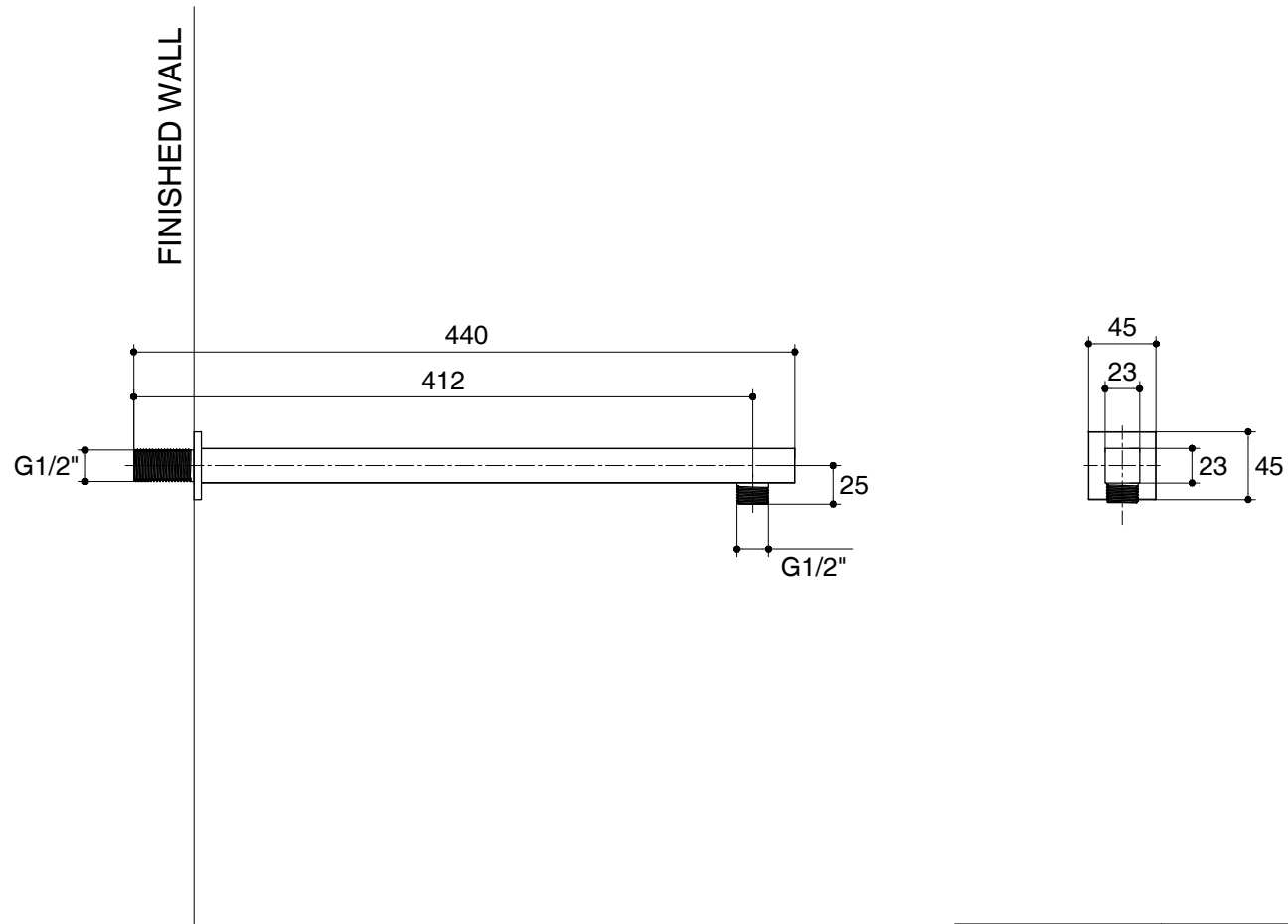


Dimensions are approximate.

Unit: mm



SKU	K-37477X-CP
Name	-
Description	SHOWER ARM

ENGLEFIELD

*The recommended dimension for installation can be adjusted according to user preferences and layout.